



J Series counterbalanced  
battery forklift

# JAC FORKLIFT

CPD13J / CPD16J / CPD18J / CPD20J  
CPD25J / CPD30J / CPD35J





**MATERIAL HANDLING EXPERTS  
FROM AUTOMOTIVE QUALITY**



ISO 9001  
ISO 14001  
OHSAS 18001

**JAC HEAVY DUTY IMPORT & EXPORT CO.,LTD**

ADDRESS: SHANGHAI ROAD, BAOHE INDUSTRIAL PARK, HEFEI, ANHUI, CHINA

**NZ DISTRIBUTOR:**

Power Forklifts 2022 Limited

Phone: +64 9 838 0023

Web: [www.jacforklifts.co.nz](http://www.jacforklifts.co.nz)

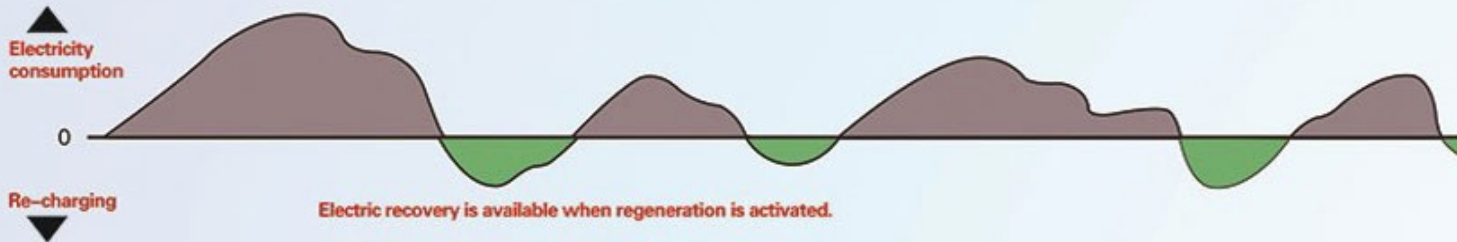
Email: [sales@powerforklifts.co.nz](mailto:sales@powerforklifts.co.nz)



## Excellent operating performance

### ◆ Regeneration of battery

Electricity is collected to battery during braking,deacceleration and streeing to prolong functioning period of battery.



### ◆ Speed regulation and inching of lifting

The system is sentitive to displacement of valce rod for saving energy and precise stacking so as to prolong operation hours of battery.

### ◆ Automatic power off

The machine will be powered off in case it has been in neutral gear for over 5 seconds so as to save energy.

### ◆ Strengthened frame with low gravity center

Integrated and strengthened frame featuring improved carrying capacity.It is a frame with 4 supports designed for counterbalanced battery forklift(patent number:201220133447.2)

### ◆ Load-sensitive hydraulic system

Lifting speed is improved by 5%.

### ◆ Three-gear drive mode

Fast/intermediate/slow speed gears are available for operation in different conditions and for different distance.



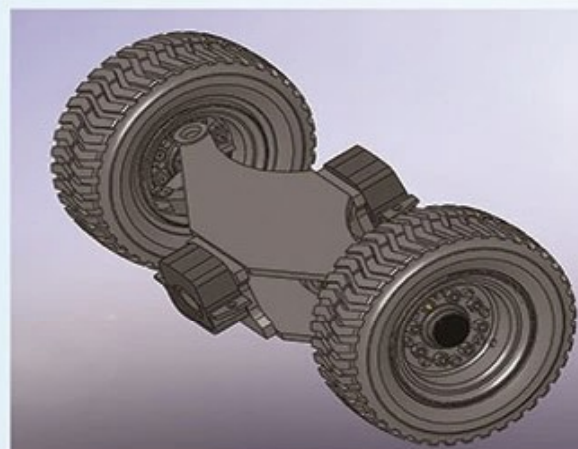
## Driving confortablilit

### ◆ Shock absorption connecting steering bridge

Shock sbsorption steering axle reduces shocks while the machine is moving.

### ◆ Floating seat

The seat can be adjusted forward or backward and the back rest is also adjustalbe;  
Shock absorption spring can be adjusted according to weight of oprator.





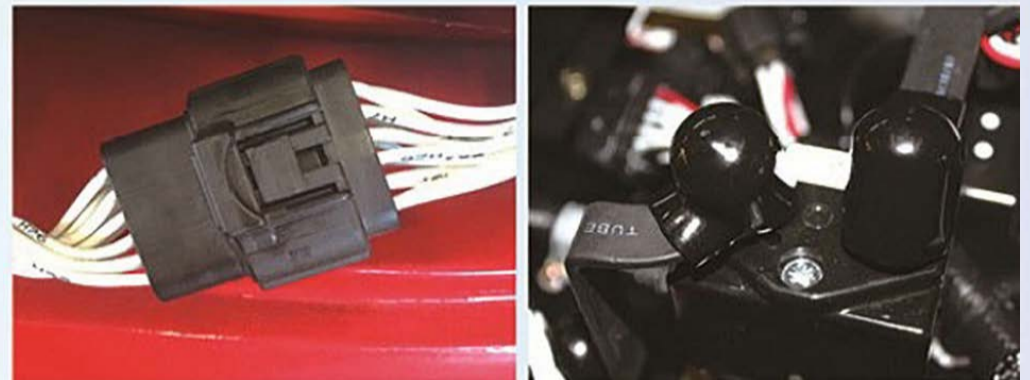
## High safety and Reliability

### ◆ Water-proof

The imported water-proof connectors are more reliable

### ◆ Delayed power -off-The first in China

The machine will be powered off in case the machine has been powered on but not is use for at least 10 minutes,which is safe and energy-saving.

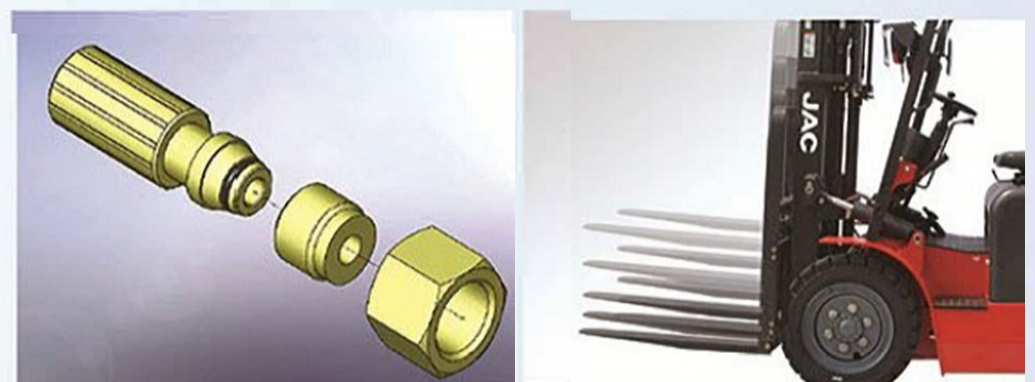


### ◆ 24° cone+Oring

The hydraulic system adopts the most advanced sealing.

### ◆ Buffer when descending

The forklift provides buffer when the loading is descending for safer and smoother operation.



### ◆ Neutral safety system

The neutral safety system eliminates accidents caused by unintended start of engine.

## Convenient maintenance

### ◆ Readable Instruments

LED instruments clearly display operation conditions of forklift.

### ◆ The hood can be lifted to 80° for easy maintenance

### ◆ Lifting motor is located in the rear

### ◆ Controller is located in the rear



## SPECIFICATIONS

Model			CPD13J	CPD16J	CPD18J	CPD20J	CPD25J	CPD30J	CPD35J							
1	Power Type		Battery	Battery	Battery	Battery	Battery	Battery	Battery							
2	Load Capacity	kg	1300	1600	1800	2000	2500	3000	3500							
3	Load center	mm	500	500	500	500	500	500	500							
4	Lift height	mm	3000	3000	3000	3000	3000	3000	3000							
5	Free lift height	mm	120	120	120	155	155	160	70							
6	Fork size	L*W*H	920 × 100 × 40			1070 × 122 × 40		1070 × 125 × 45	1070 × 125 × 50							
7	Mast tilt	FR/RR	6/10	6/10	6/10	6/12	6/12	6/12	6/12							
8	Min turning Radius	mm	1990	2030	2030	2200	2200	2497	2520							
9	Min Right angle stacking aisle width	mm	3397	3437	3437	3865	3865	4178	4204							
10	Min right angle aisle width	mm	2190	2230	2230	2400	2400	2703	2720							
11	Min ground clearance	mm	93			110	110	120	120							
12	Height of overhead guard	mm	2132	2132	2132	2172	2172	2180	2180							
13	Height of seat to overhead guard	mm	1020	1020	1020	990	990	980	980							
14	Overhang	mm	407	407	407	466	466	474	492							
15	Max driving speed	Full load	12		12		12		12							
16	Max Lifting speed	Full load	260	300	260	300	220	280	215	280	260	260	260	260		
17	Gradeability	%	15	15	15	15	15	15	15	15	15	15	10	10		
18	Overall length	Without forks	2158		2220		2220		2435		2435		2585		2603	
19	Over width	mm	1072		1072		1072		1163		1163		1250		1250	
20	Height mast lifted(with backrest )	mm	3930		3930		3930		4030		4030		4228		4228	
21	Height mast lowered	mm	1990		1990		1990		1995		1995		2065		2120	
22	Tyre	Front	6.00-9-10PR				7.00-12-12PR				28 × 9-15-14PR		28 × 9-15			
23		Rear	5.00-8-10PR				18 × 7-8-14PR				6.50-10-10PR					
24	Wheelbase	mm	1370		1370		1370		1520		1520		1700		1700	
25	Tread	FR/RR	894/920		894/920		894/920		973/960		973/960		1000/990		1000/990	
26	Self weight	Without load	2840		3000		3120		3850		4190		4960		5400	
27	Battery	Voltage/capacity	48/400		48/400		48/500		48/600		48/630		80/500		80/550	
28	motor	Driving	8		8		8		11.1		11.1		16.6		16.6	
29		lifting	7.5	10	7.5	10	7.5	10	8.6	12	8.6	12	13	13.5	13	13.5
30	Way of Control		BC	AC	BC	AC	BC	AC	BC	AC	BC	AC	BC	AC	BC	AC
31	Working pressure	Mpa	15.5		15.5		15.5		18.5		18.5		18.5		18.5	
32	Drawbar pull	KN	13		13		13		17		17		21		21	

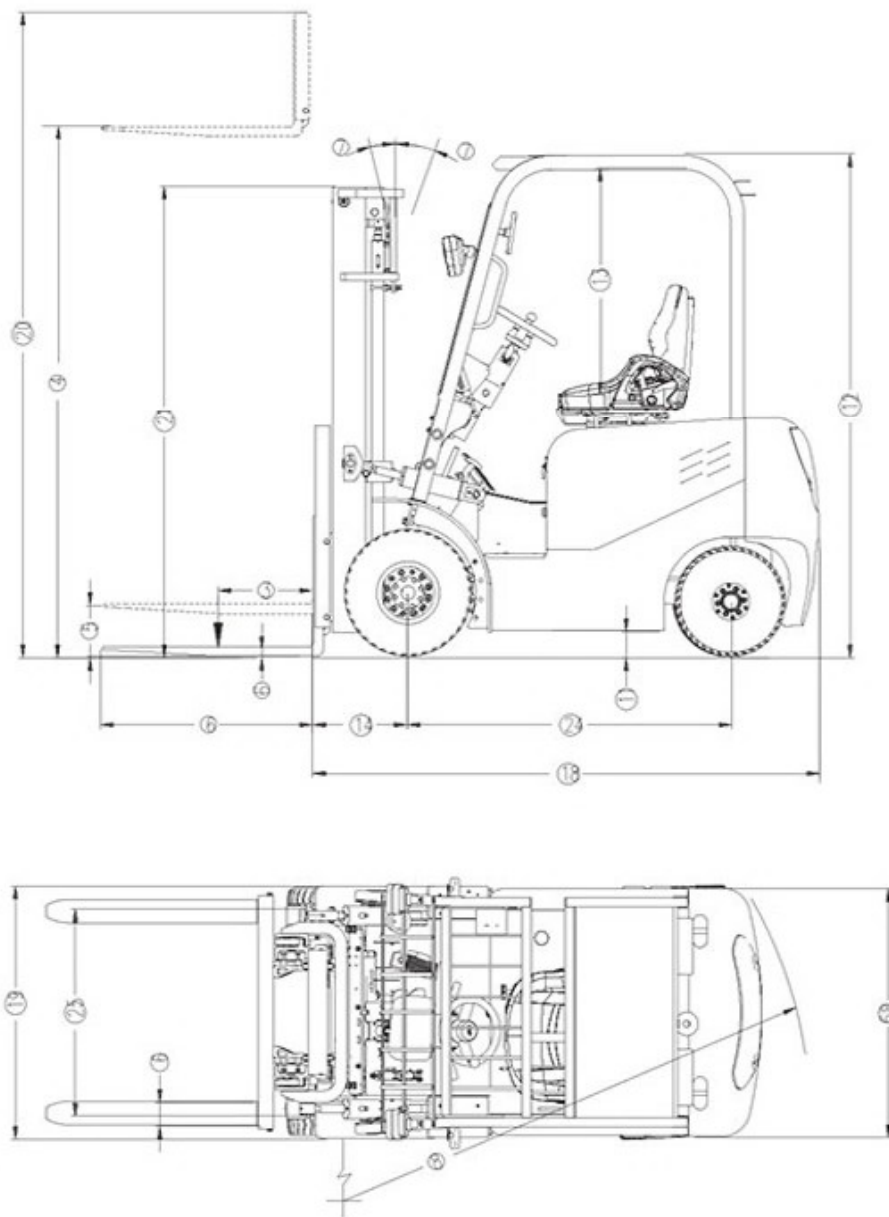
## ENGINE TYPE SELECTION AND PARAMETERS

Forklift model	Battery size mm (L×W×H)	Battery capacity ( Ah)
CPD13/16J	965 × 455 × 705	400
CPD18J	965 × 455 × 705	500
CPD13/16J/18J	965 × 455 × 705	390
	965 × 455 × 705	470
	965 × 455 × 705	550
	965 × 455 × 705	600
	965 × 455 × 705	600
CPD20J	1028 × 525 × 780	600
CPD25J	1028 × 525 × 780	630
CPD20/50J	1028 × 525 × 780	700
	1028 × 525 × 780	770
CPD30J	1141 × 612 × 805	500
CPD35J	1141 × 612 × 805	550
CPD30/35J	1141 × 612 × 805	560
	1141 × 612 × 805	600
	1141 × 612 × 805	650

## CHARGER MODEL

Charger Model	Electric power		Connector model	Forklift model
	Voltage	Frequency		
48V60A	400V	50HZ	REMA160	CPD13/16J
48V70A	400V	50HZ	REMA160	CPD18J
48V80A	400V	50HZ	REMA320	CPD20/25J
80V70A	400V	50HZ	REMA320	CPD30/35J

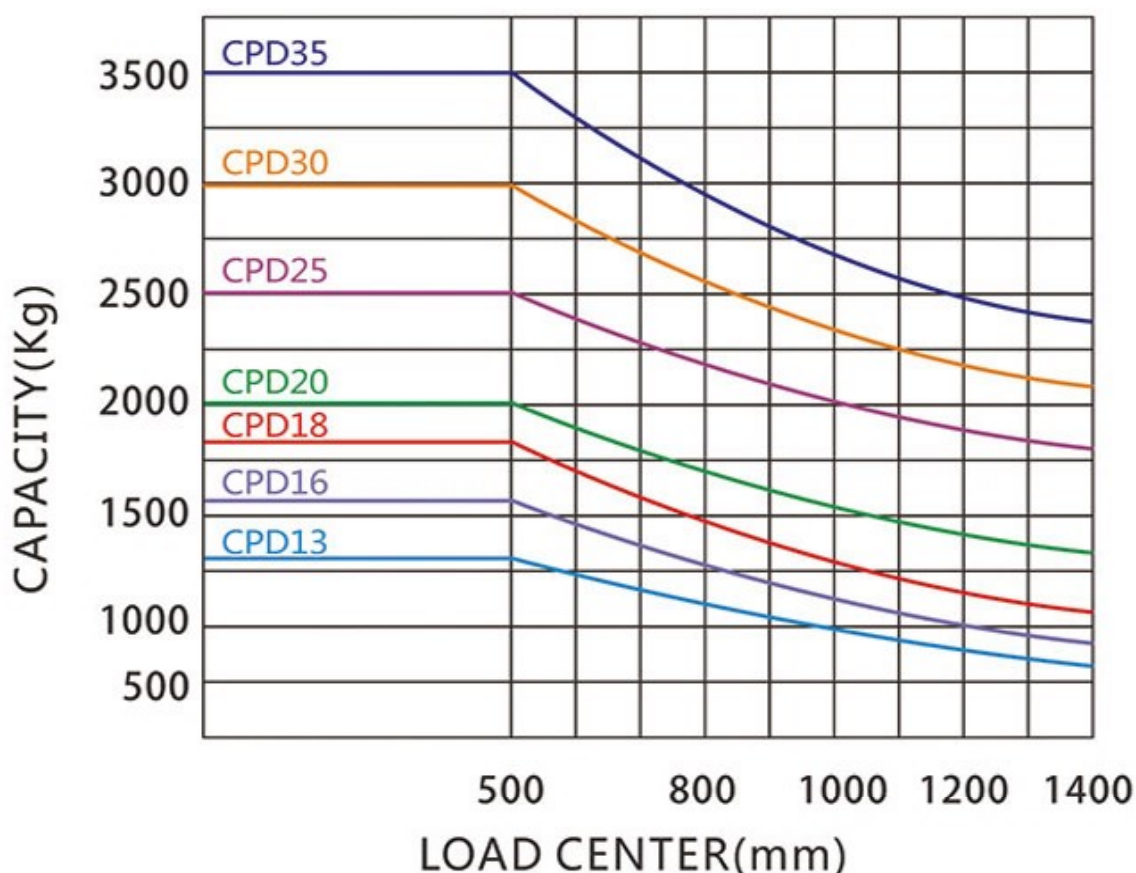
## DIMENSIONAL DRAWING



## STANDARD & OPTIONS EQUIPME

System	Standard Equipment	Optional equipment
Electric system	ZAPI(Inmotion) controller	Curtis controller
	charger	Imported battery
	Combination meter	Alarming light
	Combination switch	Fan
	lifting speed regulator	heater
	Front headlight	LED Front headlight
	LED Tail light	Auto fluid-infusion battery
	USB charger	LED tail light
	Reverse buzzer	Voice reverse buzzer
	wide-view mast	Duplex Full free mast
Lifting system	Lowering buffer	Triplex Full free mast
		hinged fork
		Paper roll Clamp
		Extended fork
		fork shoes
		side shifter
		Carpet boom
		Bale Clamp
		Pull/push attachment
		Rotating attachment
	Special attachment	
Drive,transmission and steering system	Pneumatic tyre	Solid tyre
		Environmental-friendly solid tyre
General	tool kits	
Overhead guard	Rear view	Three-cross&five-vertical protection net
	Front/Rear Lamp shade	Wingshield
		Cabin
		Non-standard overhead guard
Hydraulic system	2 spools	3 spools
		4 spools
Brake system	Service brake	
	Parking brake	
hood & bottom-plate	Floating seat	Safety belt
	Cup set	Seat belt system alarm
	Paper folder	

## LOAD CAPACITY



**Note:** the vertical axis represents the CAPACITY and the horizontal axis represents the LOAD CENTER. The calculation of LOAD CENTER starts with the frontage of fork. The basic point of standard load refers to the center of a cube with load side 1000mm long. The CAPACITY will drop if the mast tilts forwards, a non-standard fork is adopted or the load width is excessive. The CAPACITY at the LOAD CENTER could be timely learnt of through the load curve.

WIDE-VIEW BASIC MAST

Table for WIDE-VIEW BASIC MAST showing lifting height, load capacity (1.3t to 3.5t), and height mast (1.3-1.8t, 2-2.5t, 3t, 3.5t) with mast tilt angle.

ZM2-STAGE FULL FREE MAST

Table for ZM2-STAGE FULL FREE MAST showing lifting height, load capacity (1.3t to 3.5t), height mast (1.3-1.8t, 2-2.5t, 3t, 3.5t) with mast tilt angle.

CM3-STAGE FULL FREE MAST

Table for CM3-STAGE FULL FREE MAST showing lifting height, load capacity (1.3t to 3.5t), height mast (1.3-1.8t, 2-2.5t, 3t, 3.5t) with mast tilt angle.