

JAC



JAC FORKLIFT

J Series Internal Combustion
Counterbalanced Forklift Truck

CPCD20J/CPCD25J/CPCD30J/CPCD35J



JAC HEAVY DUTY IMPORT & EXPORT CO.,LTD



***MATERIAL HANDLING EXPERTS
FROM AUTOMOTIVE QUALITY***



JAC HEAVY DUTY IMPORT & EXPORT CO.,LTD



NZ DISTRIBUTOR:



Power Forklifts 2022 Limited

Phone: +64 9 838 0023



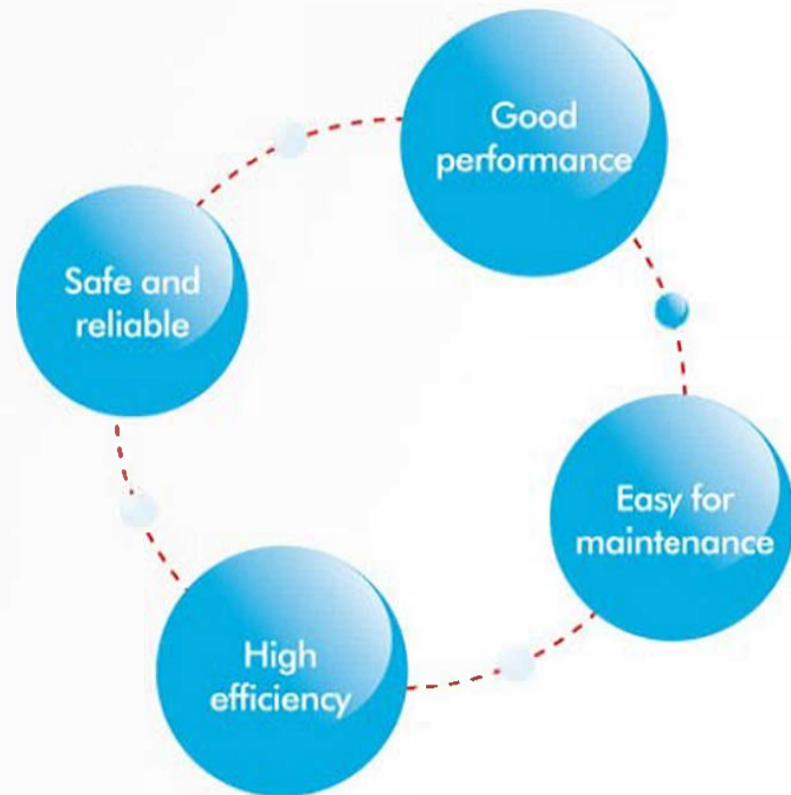
Web: www.jacforklifts.co.nz

Email: sales@powerforklifts.co.nz



ISO 9001
ISO 14001
OHSAS 18001

Selling Points Of J Series 2-3.5t Internal Combustion Counterbalanced Forklift Trucks



Four Highlights

Good performance



Regular ISUZU C240PKJ-30 engine, stable performance and has reached EURO III emission regulation.



◆ High traction

Over 23KN traction with full load.

◆ Climbing ability

It is able to climb a slope over 20% with full load.

◆ High speed

Traveling speed reached over 19km/h with full load.

◆ Load sensing hydraulic system

Load-sensitive hydraulic system ensures the fork to lift with full load while the engine is running idly so as to reduce fuel consumption.

◆ Stable

The center of gravity is moved to the rear and lower part so that the machine stands stable.

Safe and reliable

◆ Engine electrical system adopts water-proof connectors

The imported water-proof connectors are more reliable.

Water-proof grade Ip65

◆ Integrated cover of fuel and oil tanks to reduce leak





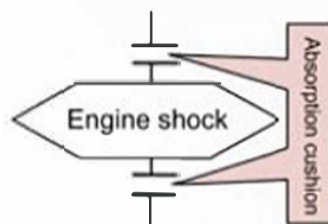
High efficiency

◆ Low noise

Closed construction and international noise absorber with acoustic wool.

◆ Low vibration

Industry-leading three-level shock absorption.



Level-1 shock absorption



Level-2 shock absorption



Level-3 shock absorption

◆ Broad visual field



Low instrument panel



Grid roof



Wide mast

◆ Spacious cab

Distance from head to roof > 200mm. Space for legs > 120mm. The seat can be adjusted for 150mm and the backrest can be adjusted for 90°.



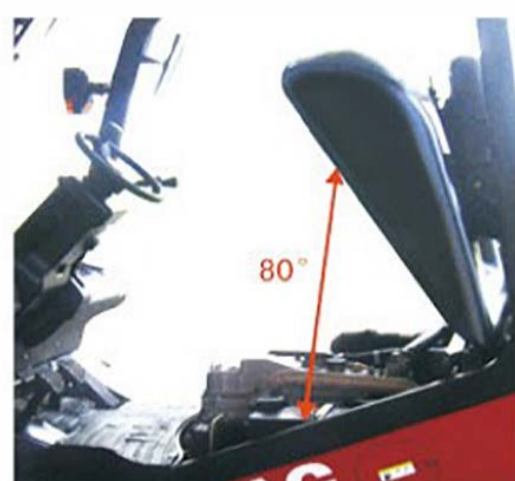
◆ Easy operation

Automobile hand brake

Electro-hydraulic directional valve and flaming out.



Large diameter steering cylinder requires less than 9N operation force.



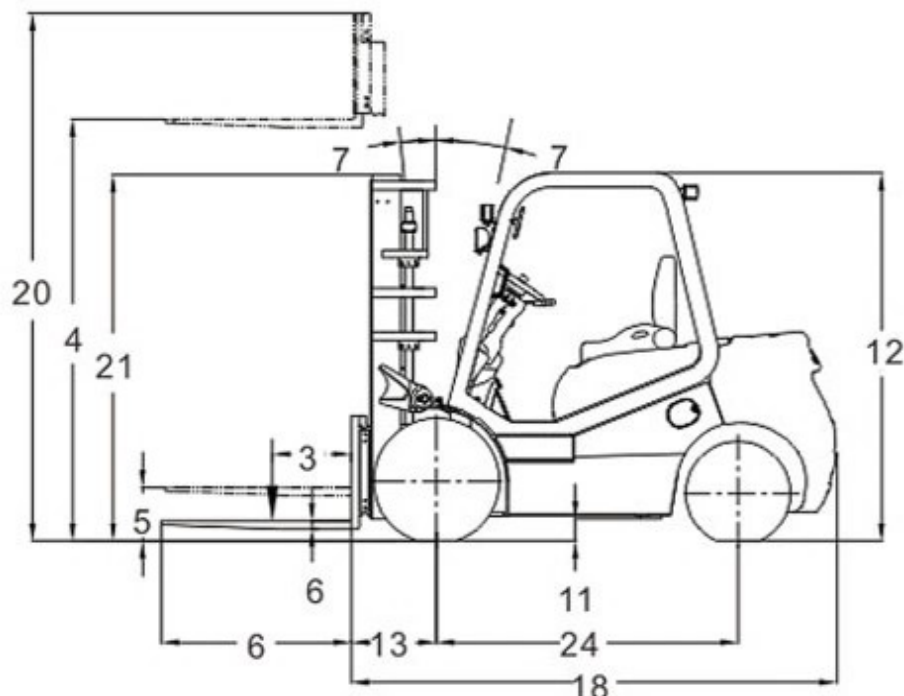
Easy for maintenance

◆ The engine hood can be lifted to 80° for easy maintenance.

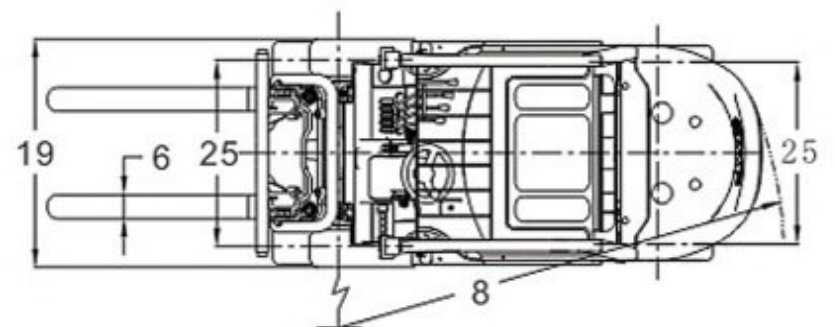
SPECIFICATIONS

Model		CPCD20J	CPCD25J	CPCD30J	CPCD35J		
1	Power type	Diesel	Diesel	Diesel	Diesel		
2	Rated load	kg	2000	2500	3000	3500	
3	Load center distance	mm	500	500	500	500	
4	Lift height	mm	3000	3000	3000	3000	
5	Free lift height	mm	190	190	130	145	
6	Fork size	L x W x T	1070 x 122 x 40	1070 x 122 x 40	1070 x 125 x 45	1070 x 125 x 50	
7	Mast tilt angle	FR/RR	6/12	6/12	6/12	6/12	
8	Minimum turning radius	mm	2245	2300	2500	2575	
9	Minimum right angle stacking aisle width	mm	4021	4076	4285	4370	
10	Minimum right angle aisle width	mm	2240	2295	2495	2570	
11	Minimum ground clearance	mm	115	115	135	135	
12	Height of overhead guard	mm	2090	2090	2105	2105	
13	Overhang(FR)	mm	476	476	485	495	
14	Maximum travel speed	Full load	km/h	19	19	19	
15	Maximum lift speed	Full load	mm/s	530	490	460	430
16	Maximum drawbar pull	Full load	KW	17	17	23.5	19
17	Gradeability	%	20	20	20	20	
18	Overall length	Without forks	mm	2535	2595	2740	2725
19	Overall width	mm	1150	1150	1150	1150	
20	Fork height at maximum lift(with backrest)	mm	4020	4020	4255	4230	
21	Mast height	mm	1995	1995	2080	2120	
22	Tires	Front wheel	7.00-12-12PR	7.00-12-12PR	28x9-15-14PR	28x9-15-14PR	
23		Rear wheel	6.00-9-10PR	6.00-9-10PR	6.50-10-10PR	6.50-10-10PR	
24	Wheelbase	mm	1600	1600	1700	1700	
25	Tread	Front wheel/rear wheel	mm	970/970	970/970	1000/970	1000/970
26	Self weight	Without load	Kg	3400	3800	4300	4820
27	Battery	Voltage/capacity	V/Ah	12/80	12/80	12/80	12/80
28	Engine	Model	AK-C240PKJ-30	AK-C240PKJ-30	AK-C240PKJ-30	AK-C240PKJ-30	
29		Rated output	kw/r.p.m	34.3 ~ 36.5/2500	34.3 ~ 36.5/2500	34.3 ~ 36.5/2500	34.3 ~ 36.5/2500
30		Rated torque	Nm/r.p.m	137.7/1800	137.7/1800	137.7/1800	137.7/1800
31		Bore x stroke	mm	86 x 102	86 x 102	86 x 102	86 x 102
32		Number of cylinders		4	4	4	4
33	Displacement	L	2.369	2.369	2.369	2.369	
34	Fuel tank capacity	L	60	60	60	60	
35	Transmissions(FWD/RWD)		1/1 electro-hydraulic directional valve				
36	Operating pressure	Mpa	18.5				
37	Tire type(FR/RR)		Pneumatic	Pneumatic	Pneumatic	Pneumatic	
38	Number of wheels(FR/RR)	Pcs	2/2	2/2	2/2	2/2	
39	Lowering speed(full load)	mm/s	450	450	500	350	
40	Lowering speed(no load)	mm/s	400	400	490	340	
41	Axle load distribution(full load)(FR/RR)	kg	4752/648	5544/756	6340/920	7040/1080	
42	Axle load distribution(fno load)(FR/RR)	kg	1530/1870	1710/2090	1700/2580	1720/3100	

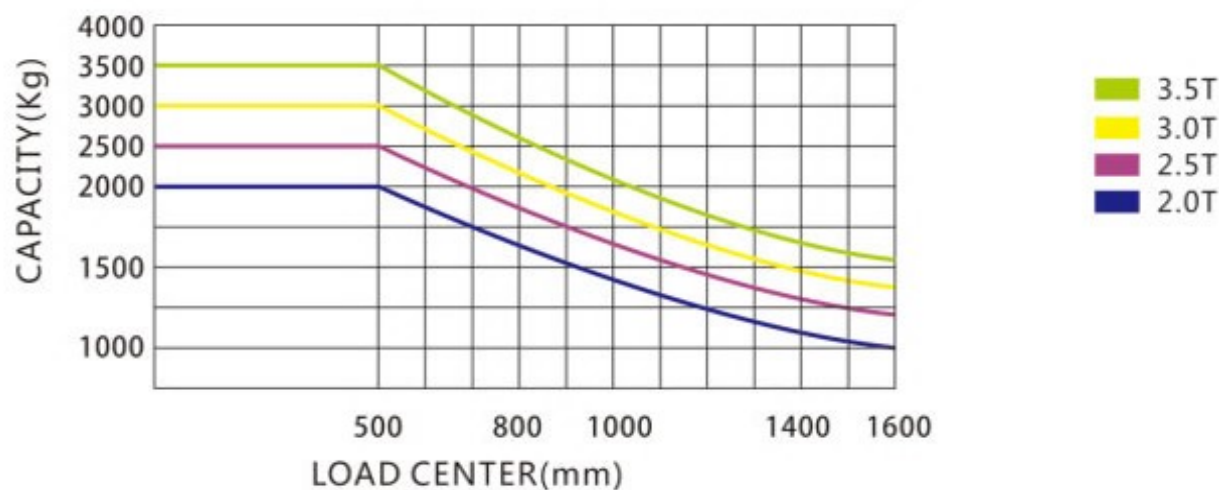
Calculation of minimum right angle stacking aisle width: Pallet size: 1100mm×1100mm, total clearance(FR/RR):100mm



DIMENSIONAL DRAWING



LOAD CAPACITY



Note: the vertical axis represents the CAPACITY and the horizontal axis represents the LOAD CENTER. The calculation of LOAD CENTER starts with the frontage of fork. The basic point of standard load refers to the center of a cube with load side 1000mm long. The CAPACITY will drop if the mast tilts forwards, a non-standard fork is adopted or the load width is excessive. The CAPACITY at the LOAD CENTER could be timely learnt of through the load curve.

STANDARD EQUIPMENT

- Torque converter dipstick
- Standard forks
- Standard seat
- Charging indication
- Backrest
- Backup light
- Backup buzzer
- Side mirror
- Light switch
- Lamp bracket
- Electric horn
- 2-piece selector valve
- Engine choke
- Direction switch
- Combination taillight
- Rain cover of overhead guard
- Durable rib tire
- Instrument
- WFOV mast
- Cable type parking brake
- Lift/tilt lever
- Lift circuit governor valve
- Drawbar pin
- Headlight
- Tilt adjustable steering wheel
- Tilt circuit self-locking valve
- Full hydraulic power steering
- Overhead air intake system
- Handle
- Coolant temperature gauge
- Tool kit
- Rubber pedal pad
- Cyclone air cleaner
- Pointer type instrument cluster
- Hydraulic return filter element
- Hydraulic suction filter element
- Hydraulic oil scale
- Oil pressure alarm
- Key switch
- electro-hydraulic directional valve
- Rotating beacon
- Turn signal light
- Brake

OPTIONS EQUIPMENT

- Side shifter
- Boom
- Jib
- Paper roll clamp
- Hinged forks
- 2(3)-section full free mast
- Lengthened forks
- Lengthened fork cover
- Cab
- Cab heater
- Cab A/C
- Windshield
- OPS seat
- Overhead exhaust system
- Exhaust purification muffler
- Muffler with spark arrester
- Fire extinguisher
- Solid tire
- LPG transfer device
- User specified color
- Colored tire (white, green)
- Small fan

ENGINE TYPE SELECTION AND PARAMETERS

No.	Manufacturer	Power type	Model	Number of cylinders	Bore x stroke mm	Total displacement L	Rated output/RPM Kw/r.p.m	Rated torque/RPM Nm/r.p.m	Emission standard	Applicable forklift truck				Applicable forklift truck (Tonnage range)
										CPCD20J	CPCD25J	CPCD30J	CPCD35J	
1	Nissan, Japan	Gasoline	K21/LPG	4	83 x 100	2.164	31.2/2250	143.7/1600	—					2-2.5t
2	Nissan, Japan	Gasoline	K25/LPG	4	89 x 100	2.488	37.4/2300	176.5/1600	—					2-3.5t
3	Isuzu, Japan	Diesel	C240PKJ-30	4	86 x 102	2.369	34.3 - 36.5/2500	137.7/1800	EU stage IIIA					2-3.5t
4	Isuzu, Japan	Diesel	4JG2PE-01	4	95.4 x 107	3.059	44.9/2450	184.7/1700	EU stage II					3-3.5t
5	Yanmar, Japan	Diesel	4TNE98	4	98 x 110	3.319	42.1/2300	177.6 - 196.3/1700 ± 100	EU stage III, Tier3					3-3.5t
6	Yanmar, Japan	Diesel	4TNV94L	4	94 x 110	3.054	34.6/2400	191.5-208.5/150	EU stage IIIA					3-3.5t
7	Mitsubishi, Japan	Diesel	S4S-455	4	94 x 120	3.330	35.3/2250	170/1700	EU stage IIIA					3-3.5t
8	Xinchang, China	Diesel	C490BPG-30	4	90 x 105	2.670	35.3/2250	156-1700-1900	EU stage III					2-3.5t
9	Xinchang, China	Diesel	A495BPG-510A	4	95 x 105	2.980	42/2650	174/1800-2000	Nationa Stage II					3-3.5t
10	JAC, China	Diesel	4DC1	4	94.5 x 107	3.002	45/2500	185/1600-1800	Nationa Stage II					2-3.5t
11	Xinchang, China	Diesel	4D27G31	4	90 x 105	2.670	36.8/2500	156-1700-1900	Nationa Stage III					2-3.5t
12	Xinchang, China	Diesel	4D30G31	4	95 x 105	2.980	36.8/2650	174/1800-2000	Nationa Stage III					3-3.5t

SPECIFICATION TABLE OF FORKS

Applicable models	Standard equipment	Width	Thickness	Length series									Mounting class
	LxWxT	W	T	L									
	mm	mm	mm	mm									
2t	1070x122x40	122	40	770	920	1070	1220	1370	1520	1670	1820	1970	II
2.5t	1070x122x40	122	40	770	920	1070	1220	1370	1520	1670	1820	1970	II
3t	1070x125x45	125	45	770	920	1070	1220	1370	1520	1670	1820	1970	III
3.5t	1070x125x50	125	50	770	920	1070	1220	1370	1520	1670	1820	1970	III

2M WFOV BASIC MAST

Lift height	Load capacity								Overall height of mast														
									2-2.5t						3t						3.5t		
	2t		2.5t		3t		3.5t		Forks(on the ground)	Fully extended		Mast tilt angle		Forks(on the ground)	Fully extended		Mast tilt angle		Forks(on the ground)	Fully extended		Mast tilt angle	
	Single tire	Dual tire	Single tire	Dual tire	Single tire	Dual tire	Single tire	Dual tire		With backrest	Without backrest	FR/RR			With backrest	Without backrest	FR/RR			With backrest	Without backrest	FR/RR	
mm	kg	kg	kg	kg	kg	kg	kg	mm	mm	mm	°	°	mm	mm	mm	°	°	mm	mm	mm	°	°	
2000	2000	2000	2500	2500	3000	3000	3500	3500	1495	3015	2635	6/12	6/12	1575	3230	2780	6/12	6/12	1620	3220	2770	6/12	6/12
2500	2000	2000	2500	2500	3000	3000	3500	3500	1745	3515	3135	6/12	6/12	1825	3730	3280	6/12	6/12	1870	3720	3270	6/12	6/12
2700	2000	2000	2500	2500	3000	3000	3500	3500	1845	3715	3335	6/12	6/12	1925	3930	3480	6/12	6/12	1970	3920	3470	6/12	6/12
3000	2000	2000	2500	2500	3000	3000	3500	3500	1995	4015	3635	6/12	6/12	2075	4230	3780	6/12	6/12	2120	4220	3770	6/12	6/12
3300	2000	2000	2500	2500	3000	3000	3500	3500	2145	4315	3935	6/12	6/12	2225	4530	4080	6/12	6/12	2270	4520	4070	6/12	6/12
3500	2000	2000	2500	2500	3000	3000	3500	3500	2245	4505	4035	6/12	6/12	2325	4730	4280	6/12	6/12	2370	4720	4270	6/12	6/12
3600	2000	2000	2500	2500	3000	3000	3500	3500	2295	4605	4235	6/12	6/12	2375	4830	4380	6/12	6/12	2420	4820	4370	6/12	6/12
3700	2000	2000	2500	2500	3000	3000	3500	3500	2345	4715	4335	6/6	6/12	2425	4930	4480	6/6	6/12	2470	4920	4470	6/6	6/12
4000	2000	2000	2500	2500	2850	3000	3500	3500	2545	5015	4635	6/6	6/12	2625	5230	4780	6/6	6/12	2670	5220	4770	6/6	6/12
4250	1900	2000	2100	2500	2600	3000	3300	3500	2670	5265	4885	6/6	6/12	2750	5480	5030	6/6	6/12	2795	5470	5020	6/6	6/12
4500	1800	1900	1800	2400	2600	3000	3050	3500	2795	5505	5135	6/6	6/12	2875	5730	5280	6/6	6/6	2920	5720	5270	6/6	6/6
5000	1300	1700	1300	2200	2100	2850	2600	3150	3045	6015	5635	6/6	6/6	3125	6230	5780	6/6	6/6	3170	6220	5770	6/6	6/6
5500	—	1500	—	1700	—	2400	—	2850	3345	6515	6135	—	3/6	3425	6730	6280	—	3/6	3470	6720	6270	—	3/6
6000	—	1300	—	1400	—	2000	—	2850	3595	7015	6635	—	3/6	3675	7230	6780	—	3/6	3720	7220	6770	—	3/6

BM 2-STAGE FULL FREE MAST

Lift height	Load capacity								Overall height of mast																				
									2-2.5t						3t						3.5t								
	2t		2.5t		3t		3.5t		Forks(on the ground)	Fully extended		Free		Mast tilt angle		Forks(on the ground)	Fully extended		Free		Mast tilt angle		Forks(on the ground)	Fully extended		Free		Mast tilt angle	
	Single tire	Dual tire	Single tire	Dual tire	Single tire	Dual tire	Single tire	Dual tire		With backrest	Without backrest	With backrest	Without backrest	FR/RR			With backrest	Without backrest	With backrest	Without backrest	FR/RR			With backrest	Without backrest	With backrest	Without backrest	FR/RR	
mm	kg	kg	kg	kg	kg	kg	kg	mm	mm	mm	mm	mm	°	°	mm	mm	mm	mm	mm	°	°	mm	mm	mm	mm	mm	°	°	
2000	2000	2000	2500	2500	3000	3000	3500	3500	1495	2995	2595	460	810	6/12	6/12	1575	3270	2780	345	835	6/12	6/12	1575	3270	2780	345	835	6/12	6/12
2500	2000	2000	2500	2500	3000	3000	3500	3500	1795	3495	3095	710	1060	6/12	6/12	1825	3770	3280	595	1085	6/12	6/12	1825	3770	3280	595	1085	6/12	6/12
2700	2000	2000	2500	2500	3000	3000	3500	3501	1845	3695	3295	810	1160	6/12	6/12	1925	3970	3480	695	1185	6/12	6/12	1925	3970	3480	695	1185	6/12	6/12
3000	2000	2000	2500	2500	3000	3000	3500	3502	1995	3995	3595	960	1310	6/12	6/12	2075	4270	3780	845	1335	6/12	6/12	2075	4270	3780	845	1335	6/12	6/12
3300	2000	2000	2500	2500	3000	3000	3500	3503	2145	4295	3895	1110	1460	6/12	6/12	2225	4570	4080	995	1485	6/12	6/12	2225	4570	4080	995	1485	6/12	6/12
3500	2000	2000	2500	2500	3000	3000	3500	3504	2245	4495	4095	1210	1560	6/12	6/12	2325	4770	4280	1095	1585	6/12	6/12	2325	4770	4280	1095	1585	6/12	6/12
3600	2000	2000	2500	2500	3000	3000	3500	3505	2295	4595	4195	1260	1610	6/12	6/12	2375	4870	4380	1145	1635	6/12	6/12	2375	4870	4380	1145	1635	6/12	6/12
3700	2000	2000	2500	2500	3000	3000	3500	3506	2345	4695	4295	1310	1660	6/6	6/12	2425	4970	4480	1195	1685	6/6	6/12	2425	4970	4480	1195	1685	6/6	6/12
4000	2000	2000	2500	2500	2850	3000	3500	3507	2545	4995	4595	1510	1860	6/6	6/12	2625	5270	4780	1396	1885	6/6	6/12	2625	5270	4780	1396	1885	6/6	6/12
4250	1900	2000	2100	2500	2600	3000	3300	3508	2670	5245	4845	1635	1985	6/6	6/12	2750	5520	5030	1520	2010	6/6	6/12	2750	5520	5030	1520	2010	6/6	6/12
4500	1800	1900	1800	2400	2600	3000	3050	3509	2795	5495	5095	1760	2110	6/6	6/6	2875	5770	5280	1645	2135	6/6	6/6	2875	5770	5280	1645	2135	6/6	6/6

CM 3-STAGE FULL FREE MAST

Lift height	Load capacity								Overall height of mast																				
									2-2.5t						3t						3.5t								
	2t		2.5t		3t		3.5t		Forks(on the ground)	Fully extended		Free		Mast tilt angle		Forks(on the ground)	Fully extended		Free		Mast tilt angle		Forks(on the ground)	Fully extended		Free		Mast tilt angle	
	Single tire	Dual tire	Single tire	Dual tire	Single tire	Dual tire	Single tire	Dual tire		With backrest	Without backrest	With backrest	Without backrest	FR/RR			With backrest	Without backrest	With backrest	Without backrest	FR/RR			With backrest	Without backrest	With backrest	Without backrest	FR/RR	
mm	kg	kg	kg	kg	kg	kg	kg	mm	mm	mm	mm	mm	°	°	mm	mm	mm	mm	mm	°	°	mm	mm	mm	mm	mm	°	°	
3600	1900	1900	2400	2400	2900	3000	3400	3400	1745	4595	4215	750	1130	6/6	6/6	1800	4830	4340	520	1010	6/6	6/6	1800	4830	4340	520	1010	6/6	6/6
4000	1900	1900	2400	2400	2850	3000	3350	3400	1880	4995	4615	885	1265	6/6	6/6	1935	5230	4740	705	1195	6/6	6/6	1935	5230	4740	705	1195	6/6	6/6
4200	1850	1900	2400	2400	2800	3000	3300	3400	1945	5195	4815	950	1330	6/6	6/6	2000	5430	4940	770	1260	6/6	6/6	2000	5430	4940	770	1260	6/6	6/6
4350	1700	1900	2400	2400	2700	2900	3200	3400	1995	5395	4965	1000	1380	6/6	6/6	2050	5580	5090	820	1310	6/6	6/6	2050	5580	5090	820	1310	6/6	6/6
4500	1700	1800	1700	2300	2600	2800	3100	3300	2045	5495	5115	1050	1430	6/6	6/6	2100	5730	5240	870	1360	6/6	6/6	2100	5730	5240	870	1360	6/6	6/6
4800	1700	1800	1700	2300	2400	2700	2900	3200	2145	5795	5445	1150	1530	6/6	6/6	2200	6030	5540	970	1460	6/6	6/6	2200	6030	5540	970	1460	6/6	6/6
5000	1500	1750	1500	2250	2100	2350	2600	2900	2215	5995	5615	1220	1600	6/6	6/6	2265	6230	5740	1035	1525	6/6	6/6	2265	6230	5740	1035	1525	6/6	6/6
5500	1200	1700	1200	2150	2000	2300	2500	2800	2330	6495	6115	1335	1715	6/6	6/6	2435	6730	6240	1255	1745	3/6	6/6	2435	6730	6240	1255	1745	3/6	6/6
6000	800	1600	800	1800	1300	1950	1750	2500	2395	6995	6615	1400	1780	3/6	6/6	2600	7230	6740	1370	1860	3/6	6/6	2600	7230	6740	1370	1860	3/6	6/6